



Wood Heating Workshop

Town of Newbury

Permit & Inspection Requirements

Installation and Operating Considerations

Town Ordinance

- Permit is required for the installation of heating equipment
 - Oil Burners
 - Gas Furnaces
 - Wood Stoves and Furnaces

Where to Get Permit Application

- Permit Application can be downloaded from:
 - the Town of Newbury www.newburynh.org
or
 - Newbury Fire Rescue Website
www.newburyfd.org

Permit Application

Town of Newbury



Permit to Install and Operate Gas/Wood Burning Equipment

To the Chief of the Fire Department:

The undersigned hereby applies for a permit to install and operate gas/wood burning equipment in compliance with R.S.A. 153:5 and N.F.P.A. Standard #31 as follows:

Address: _____

Type of Occupancy: _____ Stories _____

Owner: _____

Address: _____ Town _____ State _____

Occupant's Name _____

Make and Serial Number of Gas/Wood Burner: _____ # _____

Size and Location of tank _____

Name of Installer _____

Business Name _____ Telephone _____

Address: _____ Town _____ State _____

Signature of Owner or Installer _____ Date _____

When signed by the chief of the Fire Department this application may be used as a TEMPORARY PERMIT authorizing the installation of gas/wood burning equipment.

Permit No. _____ Date: _____

Permission is hereby granted to operate the gas/wood burning equipment described above which has been inspected and found to be in compliance with the State Fire Code (Fir 602) as adopted by the State Fire Marshall.

Signature of Fire Chief or Designee _____ Date: _____

Heating Equipment Inspection

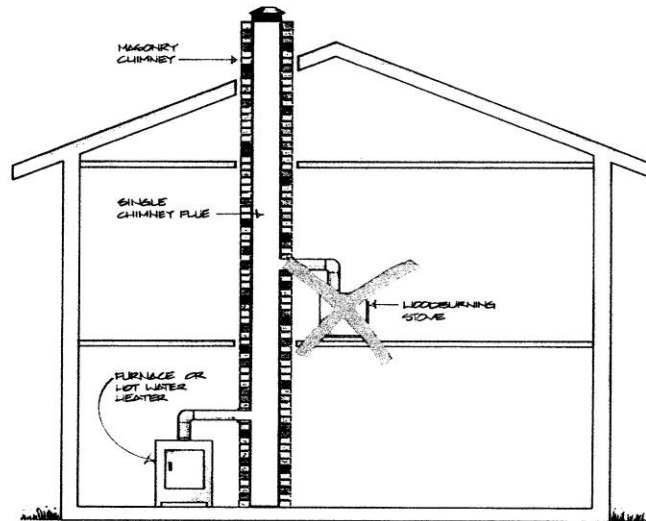
- Fire Chief or Designee
 - Inspects the installation of heating equipment
 - Installation according to Manufacturers Specifications
 - Requirements for Clearance
 - Requirements for Venting
 - Installation in accordance with NH Fire Code
 - RSA 143:5, NFPA31
 - Gas equipment installed by licensed gas fitter

Multiple Venting

MULTIPLE VENTING

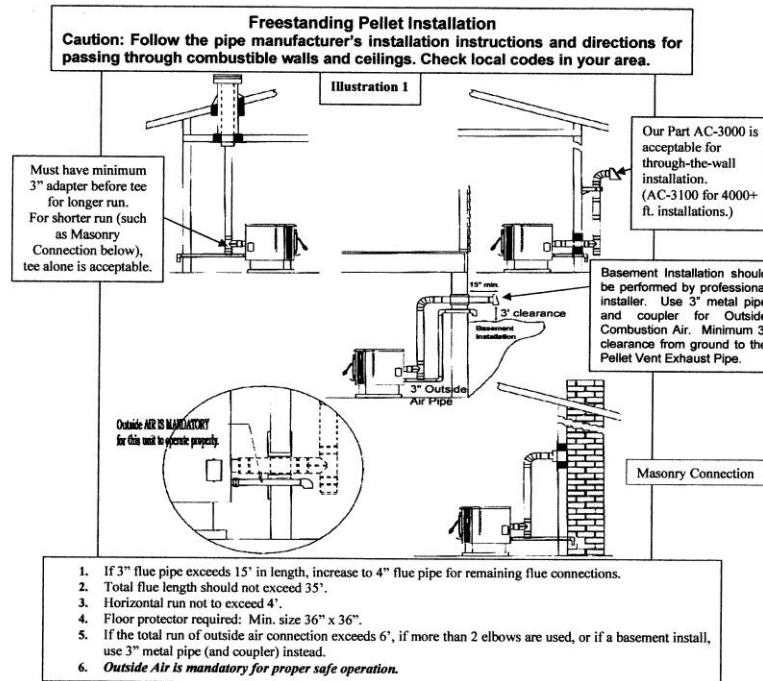
A special note of caution on using a chimney: only one woodburner or heater should be vented into a single flue. If a woodburner is connected to a flue already used by another heater, serious problems may arise. Some of these are:

1. Increased creosote accumulation. The size of the flue's interior can be significantly decreased by heavy creosote deposits from a woodburner. This reduction in the flue size may not allow flue gases to vent properly and could create a fire and/or health hazard.
2. The possible deterioration of the flue.
3. The blocking of a lower heater vent by creosote.
4. The flue may not be large enough to handle an extra heater and allow carbon monoxide (a dangerous gas) to drift back into your home.



VENTING TWO HEATERS INTO A SINGLE FLUE CAN INCREASE THE CHANCE OF A FIRE AND ALLOW DANGEROUS GASES (SUCH AS CARBON MONOXIDE) TO ENTER YOUR HOME.

Pellet Stove Installation



FLOOR AND WALL PROTECTION

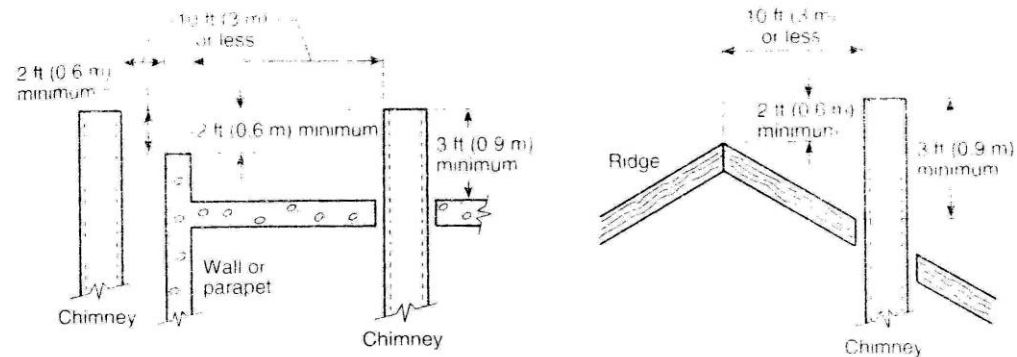
Floor Protection

If your floor is constructed of a non-combustible material such as brick or concrete, there is no need for floor protection. If the floor is constructed of a combustible material such as hardwood, linoleum, or carpet, then you will be required to use floor protection between the unit and the combustible. The protection should be U.L. approved or equal, and should be large enough to provide a minimum of six inches (6") behind and on both sides of the stove. The clearance in front of the stove should be at least six inches (6"). This freestanding pellet unit will need a minimum 36" x 36" floor protector.

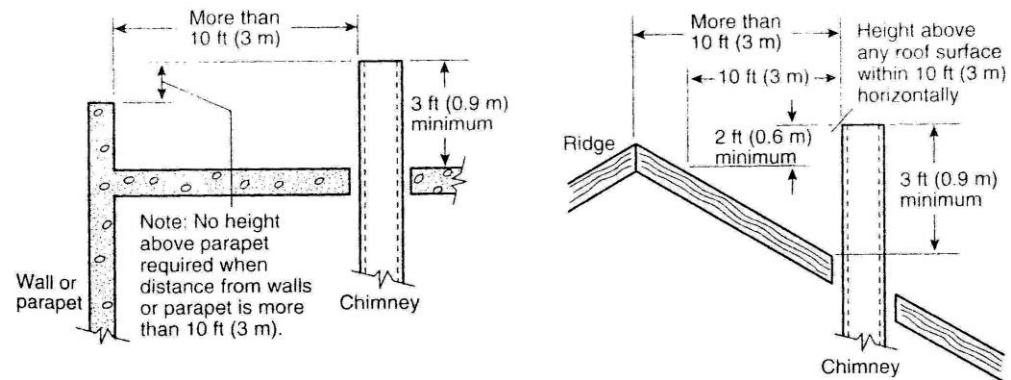
Wall Protection

From the rear and the sides of this stove only six inches (6") of clearance is required to paneling, wallpaper or drywall. The pellet vent pipe would require the standard three inches (3") clearance, or as recommended by the manufacturer. Normally additional wall protection is not required with this type unit.

Termination of Pipes & Chimneys



(a) Termination 10 ft (3 m) or Less from Ridge, Wall, or Parapet

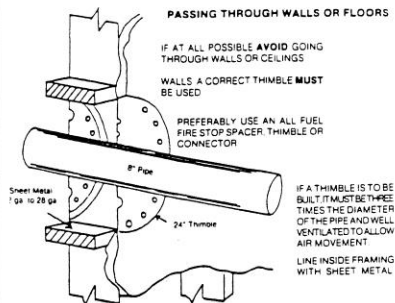


(b) Termination More Than 10 ft (3 m) from Ridge, Wall, or Parapet

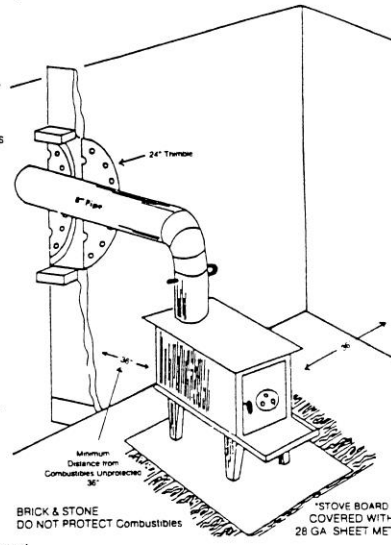
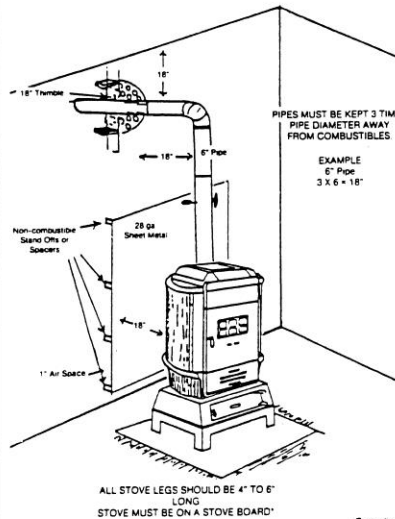
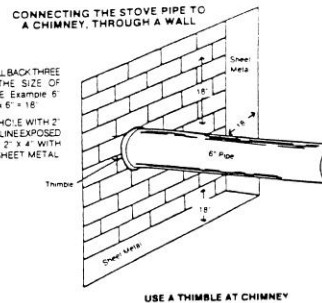
FIGURE 12.6.2.1 Typical Termination Locations for Chimneys and Single-Wall Metal Pipes Serving Residential-Type and Low-Heat Appliances.

Installation

SUGGESTED PROCEDURE FOR INSTALLATION OF WOOD BURNING STOVES



CEILINGS WHEN YOU MUST PASS THROUGH A CEILING USE ALL FUEL CONNECTOR OR FIRE STOP SPACER MUST BE USED AND INSTALLED ACCORDING TO THE MANUFACTURER'S REQUIREMENTS



101-089 (12/88)

3-76

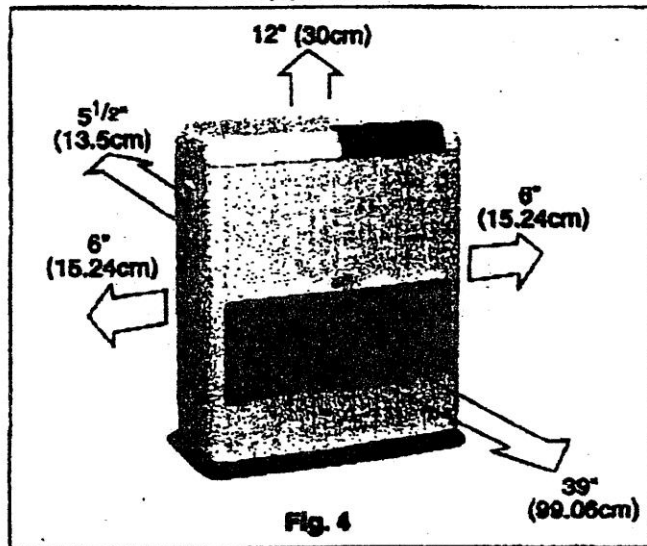
Compliments of
Peerless Insurance Company

MLP-211

Clearance

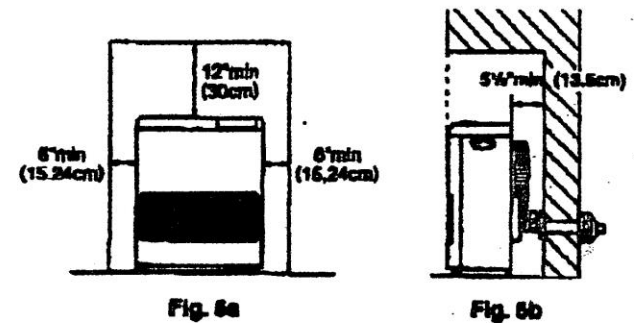
•The wall where flue pipe hole will be cut should be free of plumbing pipes, electrical wires, studs, air ducts and other obstacles.

NOTE : Use the cardboard template provided with your heater for flue pipe location.



If the unit is installed so that it is enclosed on both sides and top, the following instructions shall be carried out.

With the side and top clearances as shown in Fig. 5a, the Monitor shall not be placed so that its front surface is inside of the enclosure.



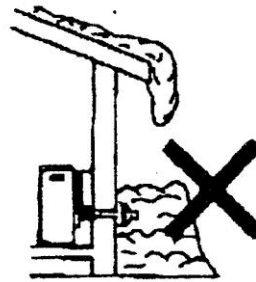
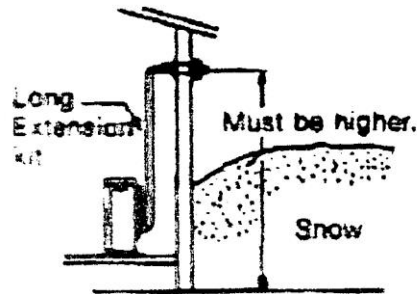
Step 4: Drill a Pilot Hole

NOTE: The following directions apply to "standard" installation. For other methods, follow instructions included with accessory kits.

For walls up to 8 1/2 inches (22.0cm) thick, use a standard flue pipe; for walls up to 12 1/2 inches (31.5cm) thick, use a medium adjustable flue pipe kit; and for walls up to 20 inches (50.5cm)

Snow and Wind Concerns with Direct Vent Systems

(1) In areas of heavy snow falls, ground surface clearance must be increased according to average snow falls, to prevent flue pipe from being buried.



(2) In open area with strong wind, a wind break may be necessary.

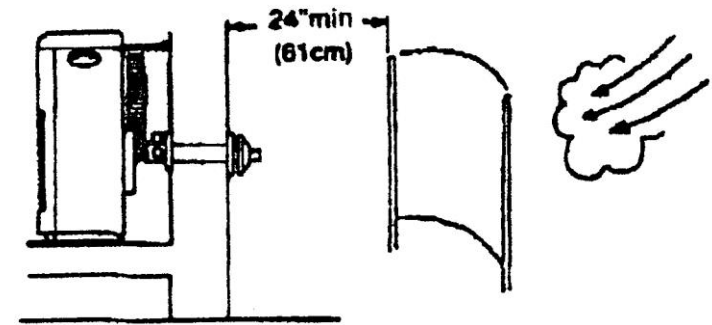


Fig. 7b

Other Considerations

- Smoke Detectors in House
- Carbon Monoxide Detectors
- Fire Alarm System
 - Permit required for Central Station Alarms
- Portable Fire Extinguishers

Other Considerations

- Condition of Chimney, if applicable
 - Cleaning
- Wood Storage
 - Inside the House
 - Outside
- Tools and Equipment
- Cleaning and Maintenance

More Information

- Fire Chief, Hank Thomas
 - newburyc1@aol.com